

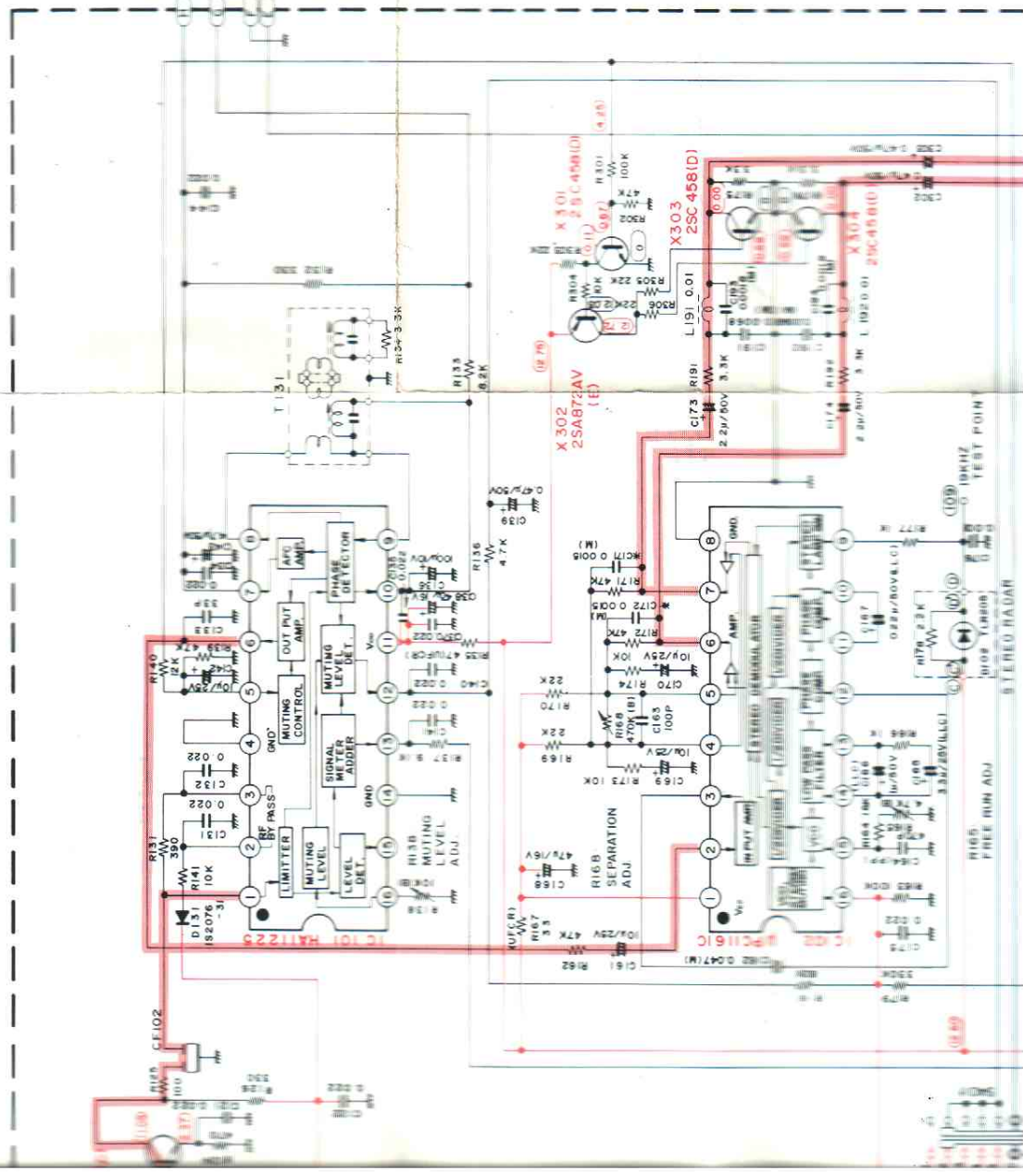
C

D

E

F

PH NO.	10	11	12	13	14	15	16
0.87	0.67	0.56	0.46	0.00	0	5.00	3.57
0	12.90	2.26	2.24	2.26	3.42	3.42	1.98
0.85	1.07	0	1.62	1.52	0.69	1.47	0.00
							0.91

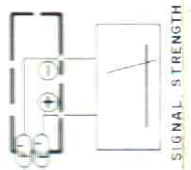


NOTE 5

TFC-27 COMES IN TWO VERSIONS DISTINGUISHED AS FOLLOWS:

USING MODEL	TFC-27C	TFC-27D
FM DE-EMPHASIS	R-S5	R-S5
	JAGUP	E.A.
PARTS NO.	TFC-27C	TFC-27D
C171	0.0045(M)	0.001(M)
C172	0.0006(M)	0.001(M)
DEEMPHASIS	7.5 USEC	150 USEC

PARTS NO.	TFC-27C	TFC-27D
CF201	E03613	E03613
	-016	-016
6888	OPEN	6 P



A

B

C

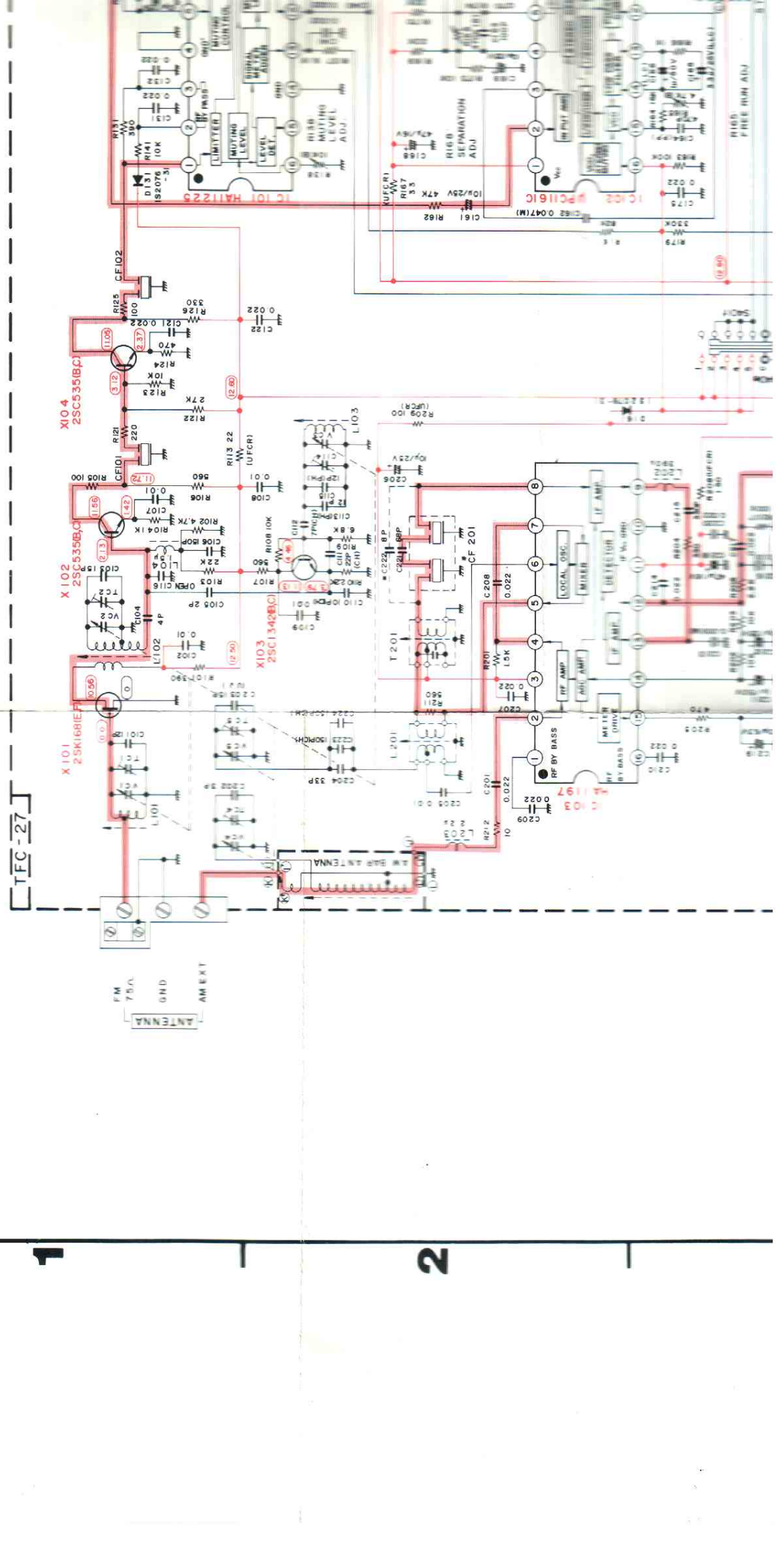
VOLTAGES

THESE VOLTAGES ARE MEASURED WITH D.C.V.T.M. AT NONSIGNAL INPUT.

TUNER IC VOLTAGE

IC NO.	IC NAME	SELECTOR POSITION															
		1	2	3	4	5	6	7	8	9	10	11	12	13	14	15	16
IC101	HA11225	1.97	1.97	0	0	0	0	0	0	0	0	0	0	0	0	0	0
IC102	UJCI161C	12.13	2.24	5.80	9.97	9.98	5.25	0	12.50	2.26	2.24	2.26	2.26	2.26	3.42	1.99	
IC103	HA1197	5.10	2.18	2.05	9.70	12.05	3.68	1.31	2.85	18.07	0	11.62	1.52	0.69	1.47	0.00	

TFC-27



1

2

(E6)

(E6)

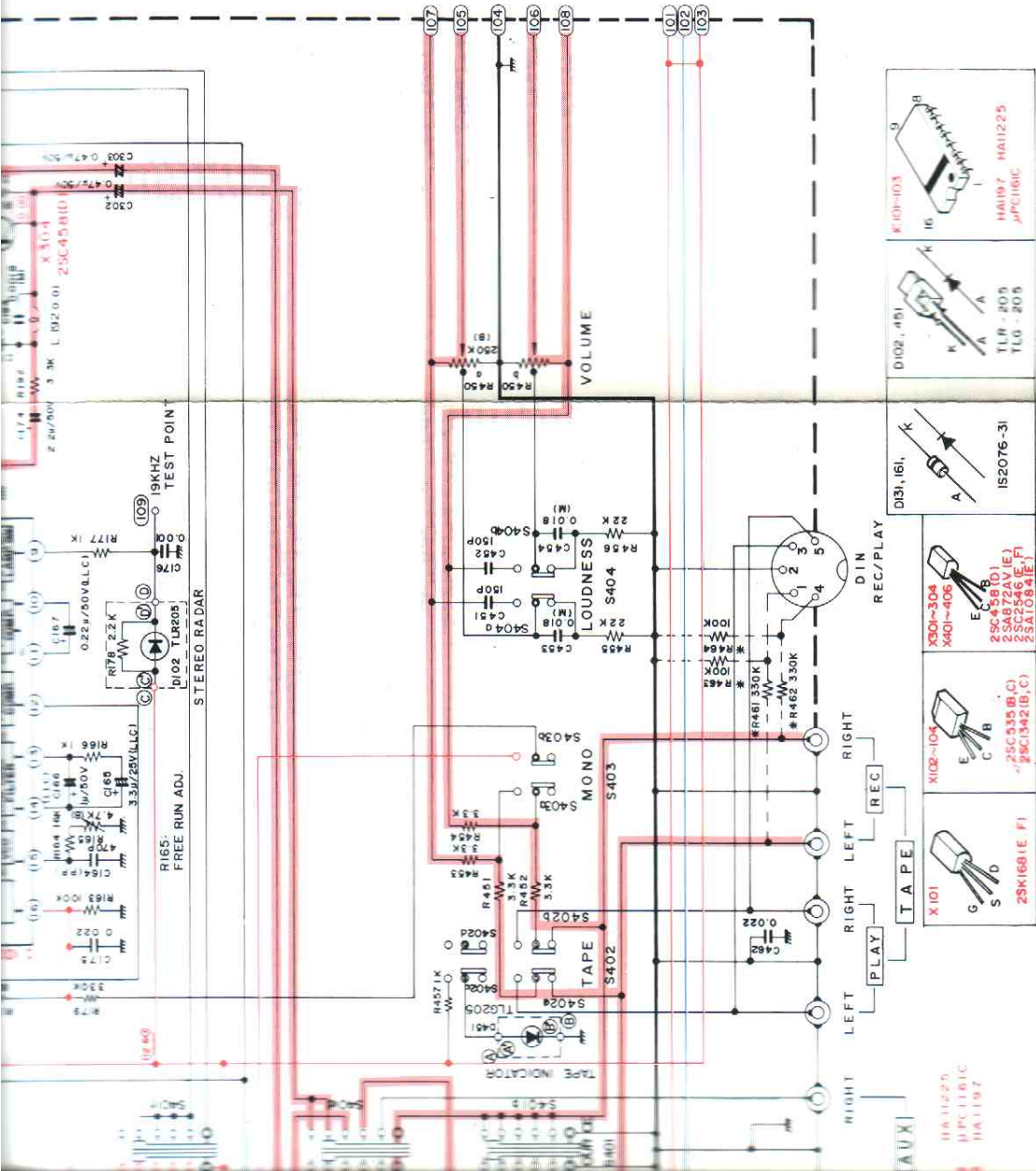
6 DIN, TERMINAL

PARTS NO	TFC-27C	TFC-27D
R461	OPEN	330K
R462	OPEN	330K
R463	OPEN	100K
R464	OPEN	100K
TAPE TERMINAL	603831-41E	603831-062

USING PARTS (REFER TO SERVICE MANUAL)

RESISTOR
 U.F.C.R. UNIFLAMMABLE CARBON RESISTOR(1/4WATTS)
 OTHERS CARBON RESISTOR(1/4 WATTS)

CAPACITOR
 L.L.C. LOWLEAKAGE CURRENT ELECTROLYTIC CAPACITOR
 P.P. POLYPROPYLENE FILM CAPACITOR
 M MYLAR CAPACITOR
 N.P. NON-POLARIZED ELECTROLYTIC CAPACITOR
 OTHERS: ELECTROLYTIC CAPACITOR OR CERAMIC CAPACITOR



E | **D** | **C**

- Notes:**
1. Parts in red indicate transistors or ICs.
 2. — indicates signal path.
 3. — indicates positive B power supply.
 4. — indicates negative B power supply.
 5. This is the standard circuit diagram.
- The design and contents are subject to change without notice.

IC101
25K1681E FI

IC102-104
-25C535(B,C)
-25C1342(B,C)

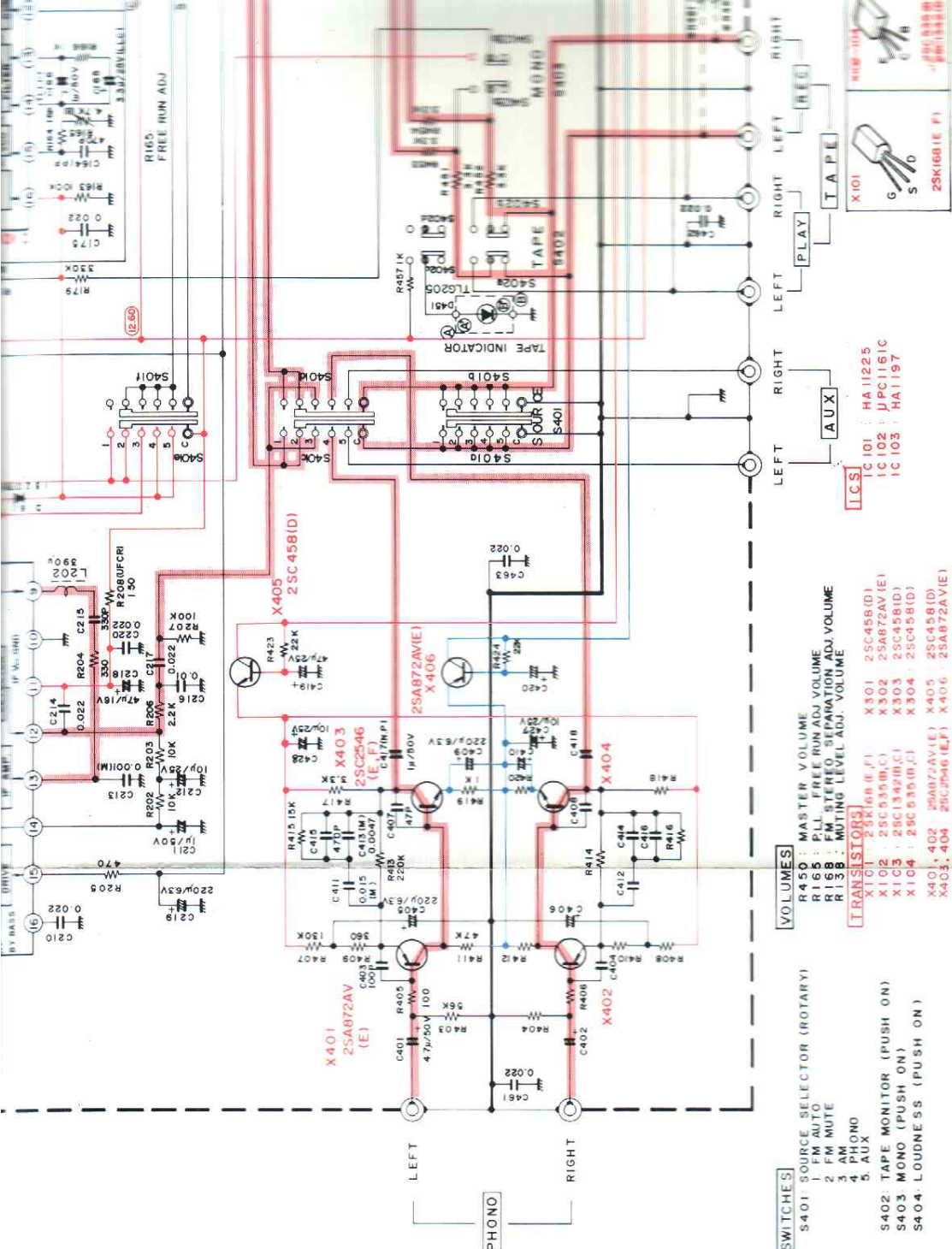
IC103
HA1197 HA11225
μPC1161C

D102-451
TLR-205
TL0-205

D103-161
IS2076-3I

3

4



A | **B** | **C**

SWITCHES

- S401: SOURCE SELECTOR (ROTARY)
- 1. AUTO
- 2. FM MUTE
- 3. AM PHONO
- 4. PHONO
- 5. AUX

- S402: TAPE MONITOR (PUSH ON)
- S403: MONO (PUSH ON)
- S404: LOUDNESS (PUSH ON)

VOLUMES

- R450: MASTER VOLUME
- R165: FREE RUN ADJ. VOLUME
- R166: FM STEERING SENSATION ADJ. VOLUME
- R138: MUTING LEVEL ADJ. VOLUME

TRANSISTORS

- X101: 25C458(D)
- X102: 25C535(B,C)
- X103: 25C535(B,C)
- X104: 25C535(B,C)
- X401: 402
- X402: 25AB72AV(E)
- X403: 404
- X404: 25C535(B,C)
- X405: 25C458(D)
- X406: 25AB72AV(E)

IC'S

- IC101: HA11225
- IC102: JPC1161C
- IC103: HA1197

X101

- 6
- 5
- 0

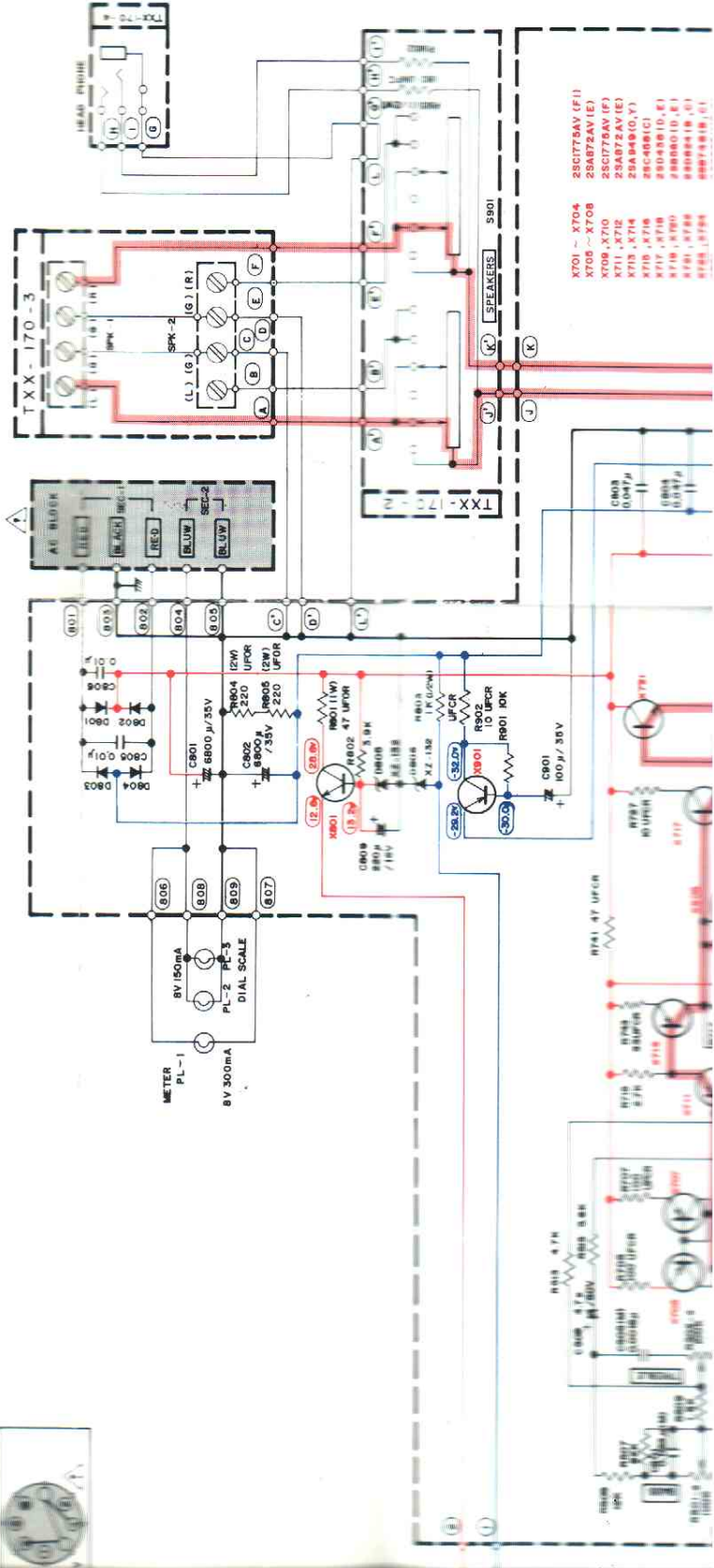
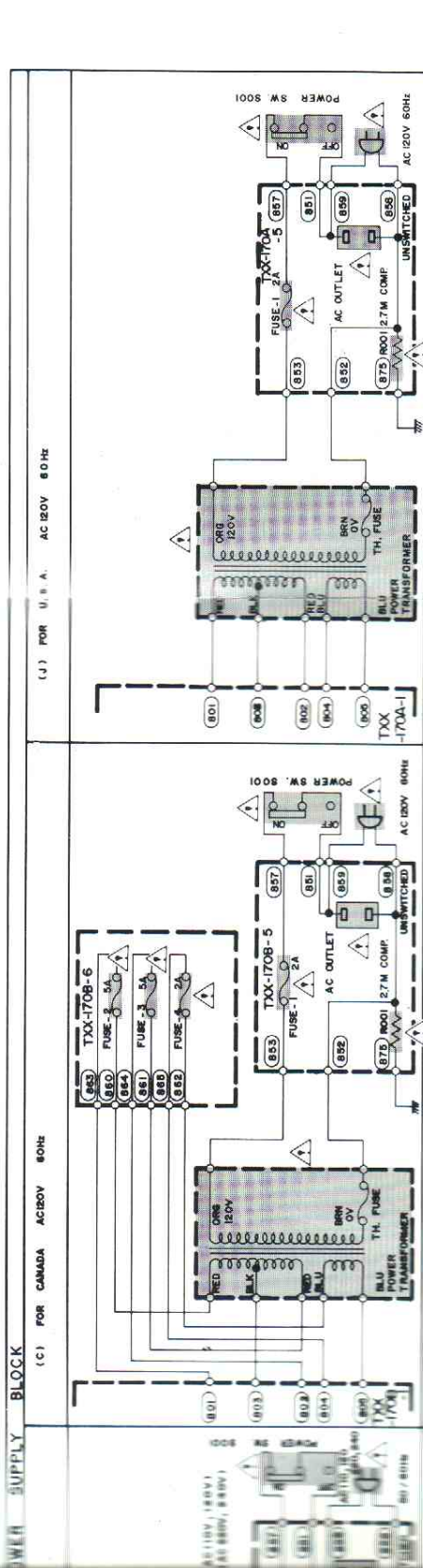


25K681(E,F)
25C458(D)
25C535(B,C)



25K681(E,F)

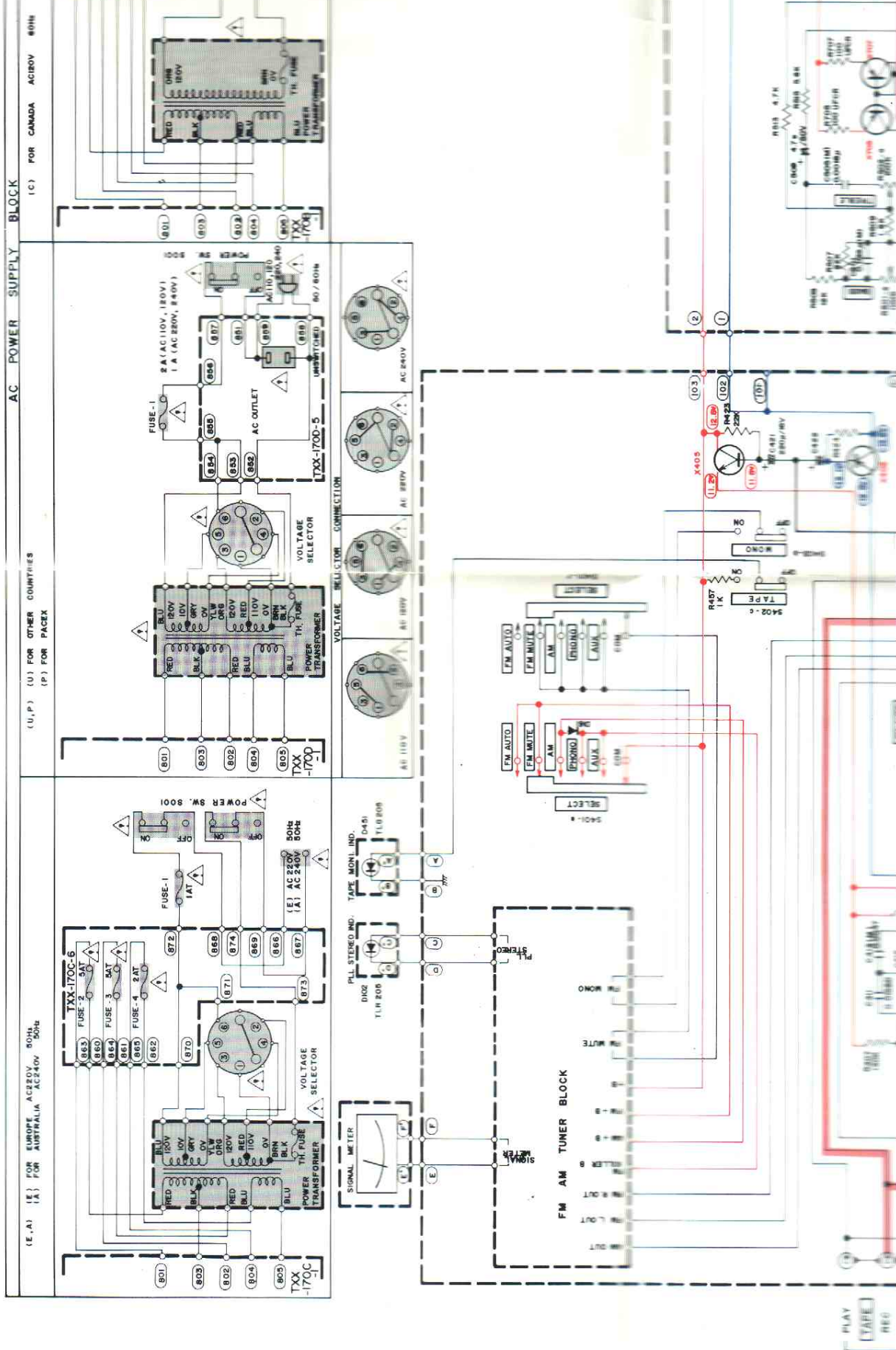
D E F



- X701 - X704 25C1775AV (F1)
- X705 - X708 25A872AV (E)
- X709, X710 25C1775AV (F)
- X711, X712 25A872AV (E)
- X713, X714 25A848(O,Y)
- X715, X716 25C4086(C)
- X717, X718 25D438(O,E)
- X719, X720 25B880(O,E)
- X721, X722 25B880(O,E)
- X723, X724 25B880(O,E)

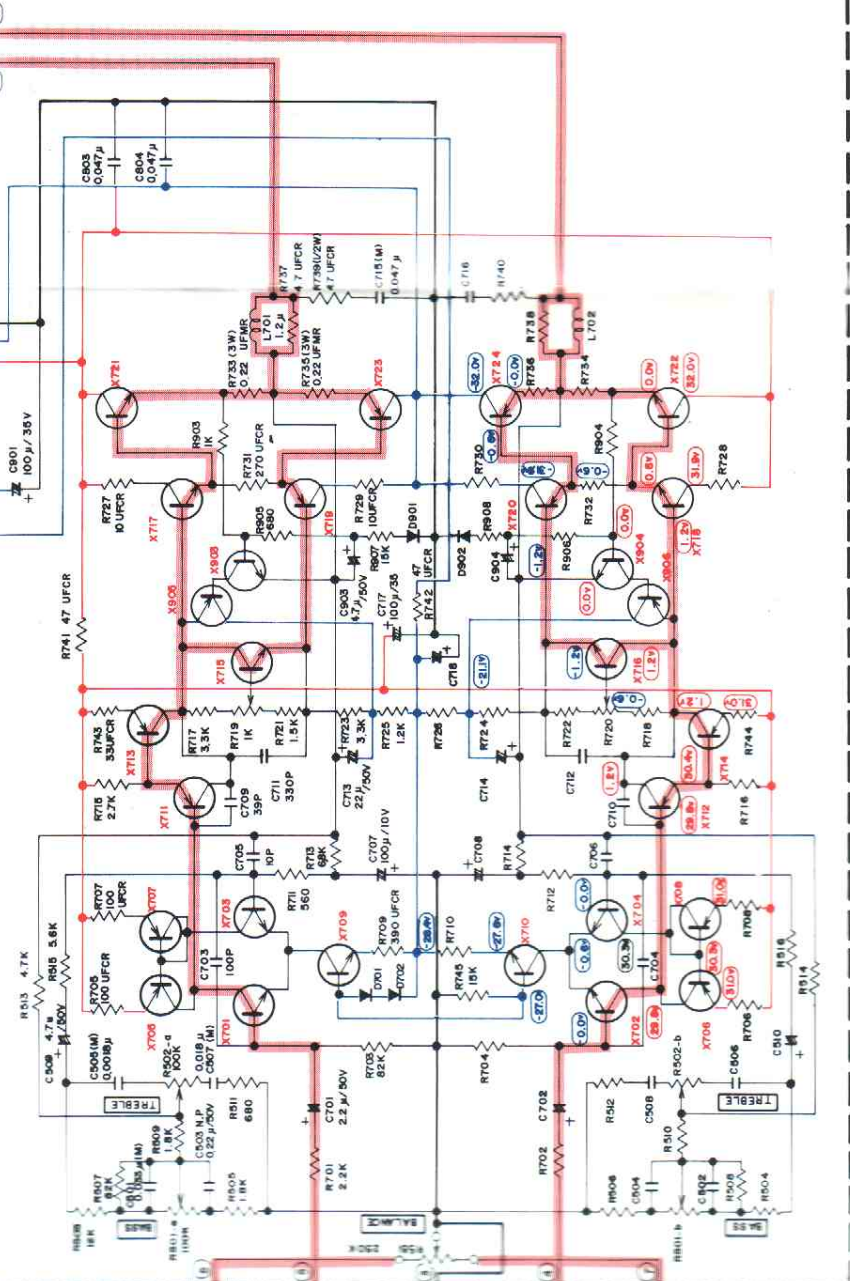
11. R-S5 Schematic Diagram

A | **B** | **C** | **D**



- X701 - X704 25C1773AV (F1)
- X705 - X708 25B172AV (E1)
- X709 - X710 25C1773AV (F1)
- X711 - X712 25A1548 (O, Y1)
- X713 - X714 25C458 (C)
- X715 - X716 25D438 (O, E)
- X719 - X720 25B560 (O, E)
- X721 - X722 25D824 (B, C)
- X723 - X724 25B748 (B, C)
- X801 25D328 (D, E)
- X901 25A1773AV (E1)
- X905 - X906 25A172AV (E1)
- D701, D702 1S2076-31
- D801 - D804 58C04-08AL
- D905, D906 X2-132
- D901, D902 1S2076-31

TXX-170-1

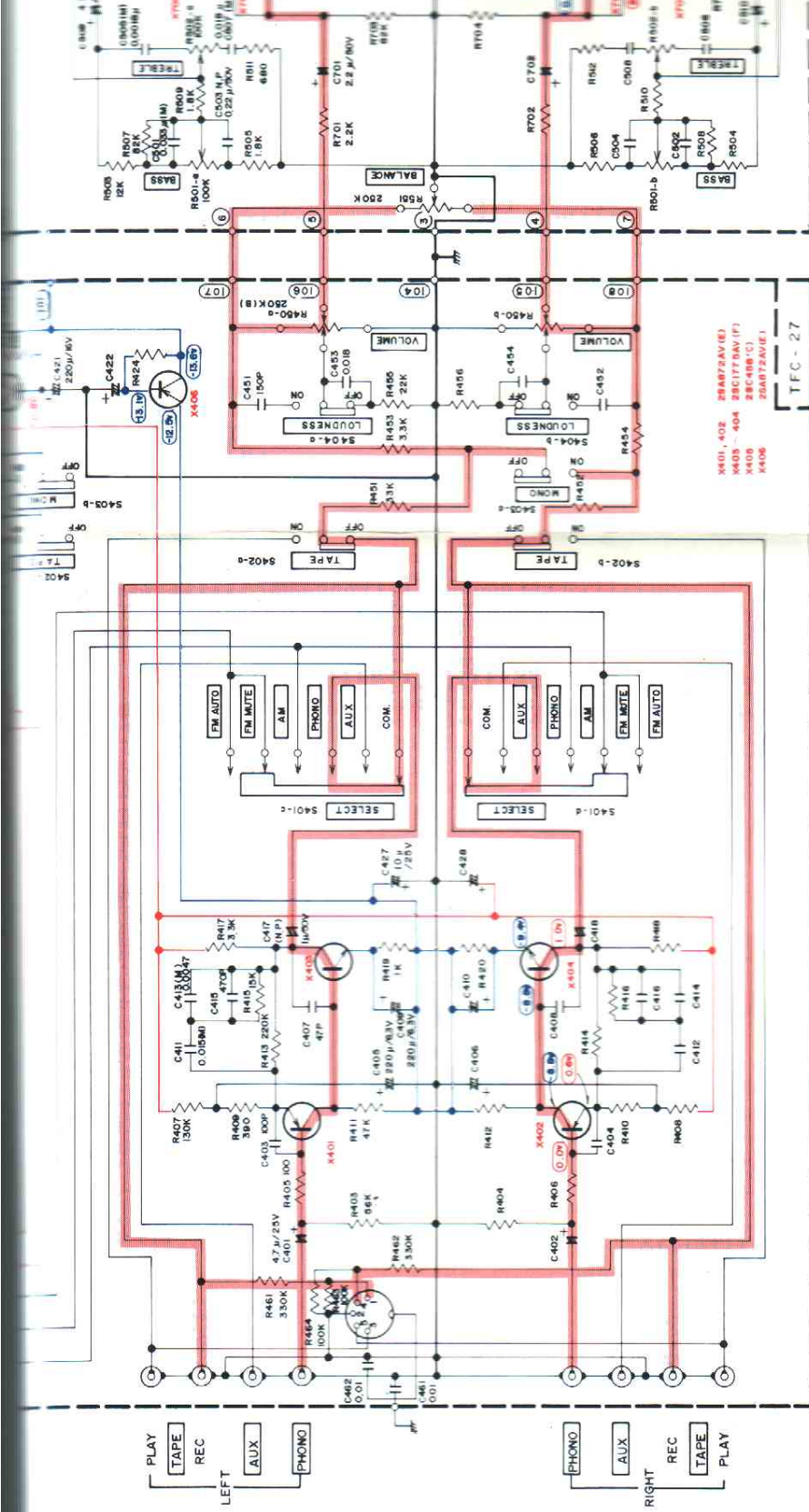


F

E

D

- Notes:**
1. Parts in red indicate transistors or ICs.
 2. — indicates signal path.
 3. — indicates positive B power supply.
 4. — indicates negative B power supply.
 5. When replacing the parts in the darkened area, be sure to use the designated parts to ensure safety.
 6. This is the standard circuit diagram. The design and contents are subject to change without notice.



USING PARTS (REFER TO SERVICE MANUAL)

- RESISTORS
 UPCR : UNFLAMMABLE CARBON RESISTOR(1/4 WATTS)
 UFOR : UNFLAMMABLE OXIDE METAL RESISTOR
 UPMR : UNFLAMMABLE METAL PLATE RESISTOR
 OTHERS : CARBON RESISTOR
 CAPACITOR
 M : MYLAR CAPACITOR
 N.P. : NON POLARIZED ELECTROLYTIC CAPACITOR
 OTHERS : ELECTROLYTIC CAPACITOR OR CERAMIC CAPACITOR

D701, 702
 DB08, 808
 DB01, 808



DB01 ~ DB04



X401 ~ 406
 X701 ~ 720
 X901 ~ 906



2S2A72A(VE), 2S2A49(0, Y)
 2S2A49(18 C), 2S2A88(C)
 2S2C72A(VF), 2S2C88(C)
 2S2C72A(VF), 2S2A88(0, E)
 2S2A49(0, E)

X401, 402 2S2A72A(VE)
 X403 ~ 404 2S2C72A(VF)
 X405 2S2C88(C)
 X406 2S2A72A(VE)

TFC - 27

X7E1 ~ 7E4



2S2A72A(VE), 2S2A49(0, Y)
 2S2A49(18 C), 2S2A88(C)
 2S2C72A(VF), 2S2C88(C)
 2S2C72A(VF), 2S2A88(0, E)
 2S2A49(0, E)

3

4

A

B

C